

137-686-190 LT-140 (1987)
44" Side Discharge Mowing Deck Assembly

Page 2 of 23

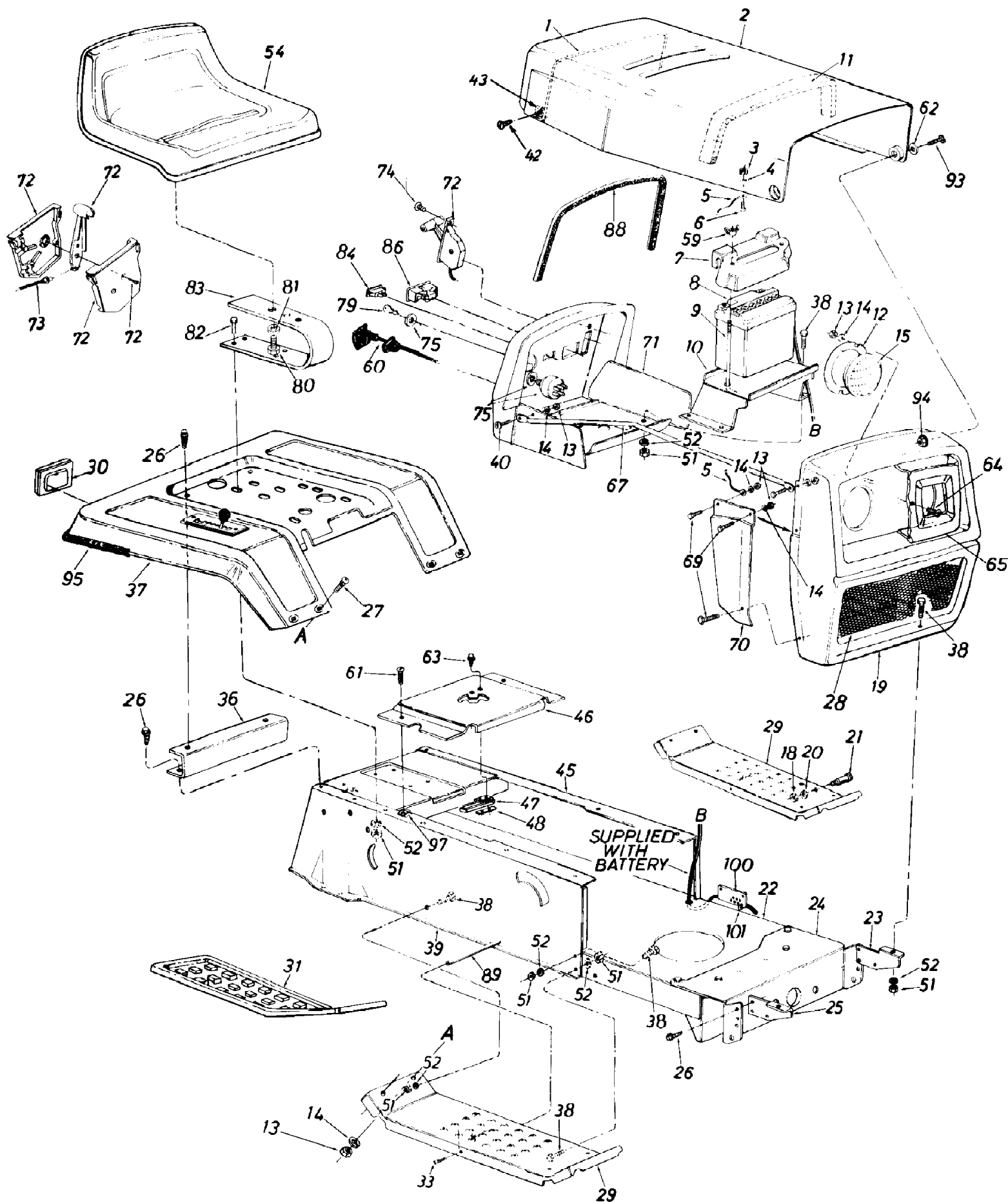
Ref #	Part Number	Qty	S/P/F	Description
1	07919	1	S	Anti-Scalp Plate
2	10937	1		Bar-Wheel Pivot
3	11396	1		Adapter Plate
4	11574	1		Chute Cover Ass'y.
	711-0571	1		Hinge Pin
6	726-0106	1	S	Cap Speed Nut 1/4" Rod
7	732-0261	1		Torsion Spring
8	14082	1	/P	Spring Lever Ass'y.
9	14258	1	S	Belt Guard
10	16175	1		Deck Hanger Bracket
11	16176	1		Butterfly-Bracket
12	16180	1		Deck Hanger Bracket
13	16231	1		44" Deck Ass'y.
14	16331	1		Idler Bracket
15	16333	1		Pulley Cover L.H.
16	16334	1		Pulley Cover R.H.
17	16337	1		Spindle Brake Arm Ass'y.
18	710-0118	1	S	Hex Bolt 5/16-18 x .75" Lg.
19	710-0152	1	S	Hex Bolt 3/8-24 x 1.00" Lg.
20	710-0191	1	/P	Hex Bolt 3/8-24 x 1.25" Lg.
21	710-0459	1	S	Hex Bolt 3/8-24 x 1.50" Lg.
22	710-0599	1	/P	Hex Wash. S-Tapp Scr. 1/4-20 x .50
23	710-0726	1	/P	Hex Wash. Hd. Tapp Scr. 5/16-18 x .75" Lg.
24	710-0877	1	S	Hex Cent. L-Bolt 3/8-24 x .88 Lg.
25	710-0888	1	/P	Hex Bolt Special 5/16-24 x 1.0" Lg.
26	712-0123	1	/P	Hex Nut 5/16-24 Thd.
27	712-0158	1	S	Hex Cent. L-Nut 5/16-18 Thd.
28	712-0241	1	/P	Hex Nut 3/8-24 Thd.
29	712-0267	1	S	Hex Nut 5/16-18 Thd.
30	09164	1	S	Reinforcement Plate
31	13703	1		Bearing Shield
32	15296	1	S	Open Brg. Housing 1.85 I.D.
33	741-0919	1	S	Ball Brg. .787" I.D. x 1.85" O.D. x .551
34	16349	1		Spindle Mounting Plate Ass'y.
37	712-0318	1	/P	Hex Jam Nut 5/8-18 Thd.
38	714-0168	1	/P	Sq. Key 3/16" x 2.25" Lg.
39	736-0119	1	S	L-Wash. 5/16" I.D.
40	736-0317	1	/P	Bell-Wash. .630" I.D. x 1.25" O.D.
41	738-0632	1	S	44" Deck Blade Spindle
42	08253	1	S	Bearing Housing 1.85" I.D.
43	741-0919	1	S	Ball Brg. .787" I.D. x 1.85" O.D. x .551
44	750-0456	1	S	Spacer 1.0" O.D. x .790" I.D.
45	756-0329	1		5/8 "V"-Pulley .79" I.D. x 5.75" O.D.
46	756-0470	1	S	"V"-Pulley .79" I.D. x 6.50" O.D.
47	15319	1	S	Bearing Housing 1-3/8" I.D.
48	16348	1	S	Reinforcement Plate
49	16400	1		Bearing Shield
50	710-0947	1	S	Hex Wash. Hd. B-Tap Scr. 1/4 x.75" 19.
52	736-0463	1	S	FI-Wash. .20" I.D. x .62" O.D.
53	712-0922	1	/P	Hex Jam Nut 1/2-20 Thd.
54	736-0105	1	/P	Bell-Wash. .400" I.D. x .88" O.D.
55	736-0162	1	/P	FI-Wash. .635" I.D. x 1.04" O.D.
56	738-0627	1		Blade Spindle

137-686-190 LT-140 (1987)
44" Side Discharge Mowing Deck Assembly

Page 3 of 23

Ref #	Part Number	Qty	S/P/F	Description
57	741-0155	1	S	Ball Brg. .62" I.D. x 1.38" O.D. x .44
58	742-0252	1		6.5" Blade
59	756-0468	1		1/2" "V"-Pulley Half .625" I.D. x 2.25" O.D.
60	736-0302	1	/P	FI-Wash. 5/8" I.D. x 15/16" O.D.
61	727-0290	1	S	Brake Cable 11.75" Lg.
62	732-0121	1	S	Extension Spring .73" O.D. x 4.31 0 Lg.
63	732-0395	1	S	Ext. Spring .50" x 2.51" Lg.
66	736-0141	1	S	Spring Wash. .445" I.D. x .75" O.D.
67	736-0169	1	S	L-Wash. 3/8" I.D.
68	736-0174	1	/P	Spring Wash. .625" I.D. x .885" O.D.
69	736-0217	1	S	L-Wash. 3/8" I.D. (Heavy Duty)
70	736-0219	1	S	Bell-Wash. .400" I.D. x 1.13" O.D.
71	736-0253	1	S	Bell-Wash. .505" I.D. x 1.00" O.D.
72	738-0140	1	S	Shld. Bolt .437" Dia. x .180
73	738-0347	1	S	Shld. Spacer .625" I.D.
74	742-0295	1	S	21" Blade
75	748-0279	1		Shld. Spacer
76	748-0300	1		Blade Adapter
77	754-0229	1	S	"V"-Belt
78	754-0293	1	S	"V"-Belt
79	756-0365	1	S	FI-Idler w/Flanges 3.50" O.D.
80	711-0701	1	S	Clevis Pin 1/4" Dia. x .53 Lg.
81	714-0104	1	S	Intern. Cotter Pin 5/16" Dia.
82	734-0974	1	/P	Deck Wheel 6.0" x 1.38
84	738-0455	1	S	Shld. Bolt 3/8-16 x 1.41
85	710-0617	1		Rib Neck Bolt (Service Only)
86	714-0122	1	S	Sq. Key 3/16" x 3/16" x .75 Lg.
87	738-0633	1	S	44" Deck Blade Spindle

137-686-190 LT-140 (1987)
Body Assembly



137-686-190 LT-140 (1987)
Body Assembly

Page 5 of 23

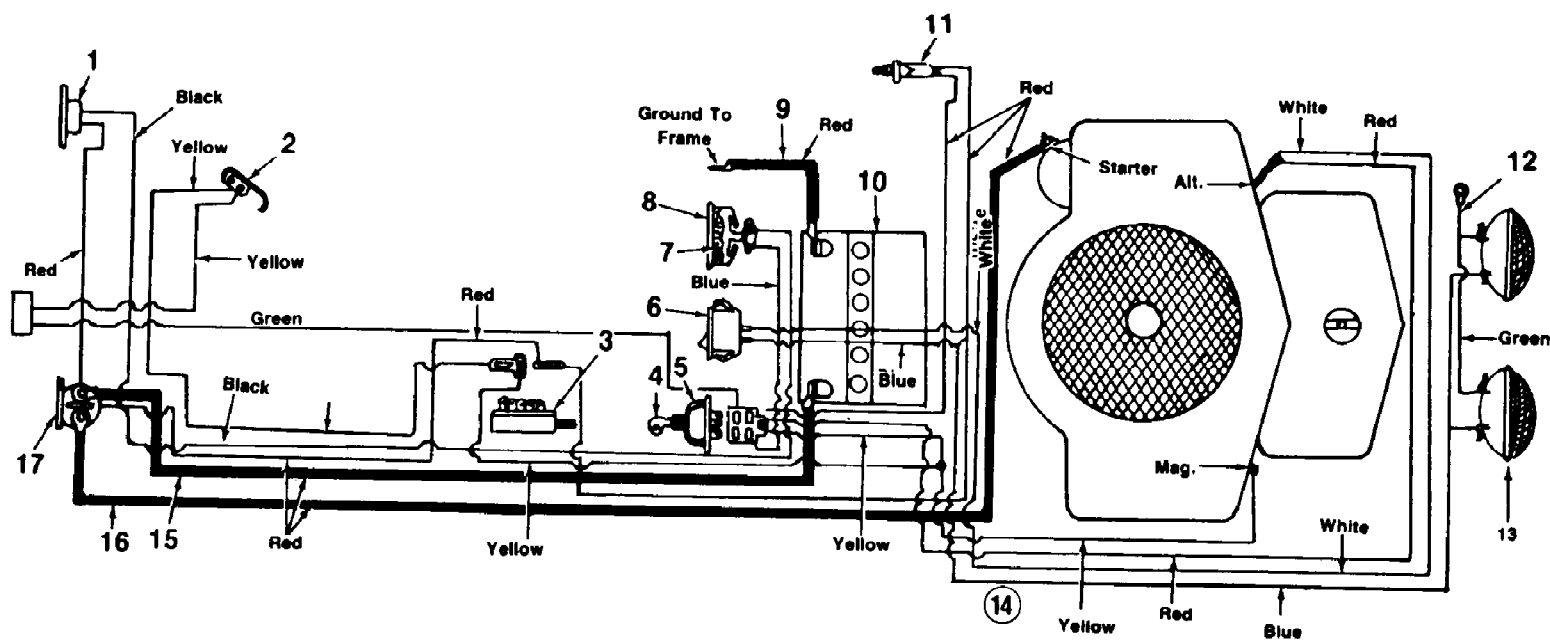
Ref #	Part Number	Qty	S/P/F	Description
1	732-0477	1		Hood Spring
2	16646	1		Hood
3	712-0272	1	/P	Hex Sems Nut #10-24 Thd.*
4	726-0154	1	S	Push Mount Tie
5	723-0302	1		Hood Stop 7" Lg.
6	710-0473	1	/P	Truss Hd. Scr. #10-24 x 1/2"
7	731-0707	1		Battery Cover
8	725-0453	1	S	12 Volt Battery
9	711-0222	1	S	Battery Hold Down Rod
10	12747	1		Battery Bracket
11	722-0138	1		PVC Foam Strip
12	09960	1		Headlight Retainer
13	712-0287	1	S	Hex Nut 1/4-20 Thd.*
14	736-0329	1	S	L-Wash. 1/4" I.D.*
15	725-0222	1	S	Headlight
18	712-0798	1	/P	Hex Nut 3/8-16 Thd.*
19	14781	1		Grille Ass'y.
20	736-0169	1	S	L-Wash. 3/8" I.D.*
21	738-0145	1	S	Shld. Bolt .50" Dia. x .84
22	14606	1		Lower Frame
23	13863	1		Grille Mount Brkt.-L.H.
24	14619	1		Front Pivot Brkt.
25	13862	1		Grille Mount Brkt.-R.H.
26	710-0726	1	/P	Hex Wash. Hd. AB-Tap Scr. 5/16 x .75" Lg.
27	710-0495	1		Carriage Bolt 1/4-20 x 2.00" Lg.
28	731-0881	1		Grille Insert
29	14604	1		Running Board (R.H. & L.H.)
30	730-0116	1		Reflector
31	731-0753	1		Foot Pad
33	710-0323	1	/P	Truss Mach. Scr. 5/16-18 x .75" Lg.*
36	15848	1		Fender Mount Brace
37	16221	1		Fender
38	710-0118	1	S	Hex Bolt 5/16-18 x .75" Lg.*
39	14602	1	S	R.H. Side Frame
40	710-0258	1	S	Hex Bolt 1/4-20 x .62" Lg.*
	722-0157	1		Foam Strip
42	710-0697	1	/P	Self-Tap Scr. .5" Lg.
43	731-0895	1		Hood Spring Retainer
45	14603	1		L.H. Side Frame
46	16433	1		Shift Cover
47	725-0759	1	S	Reverse Safety Switch
48	726-0222	1	S	Insulator Nut Plate
51	712-0267	1	S	Hex Nut 5/16-18 Thd.
52	736-0119	1	S	L-Wash. 5/16" I.D.
54	757-0318	1	S	Seat Ass'y.
59	712-0113	1	S	Wing Nut 1/4-20 Thd.-Plastic
60	746-0613	1	S	Choke Control 44" Lg.
61	710-0351	1	/P	Truss Mach. Tap Scr. #10-.50" Lg.
62	736-0413	1	/P	Washer .39" I.D. x .62" O.D.
63	710-0227	1	/P	Hex Wash. Hd. AB-Tap Scr. #8 x .50
64	710-0148	1	/P	Truss Hd. Scr #10-24 x .38" Lg.
65	731-0465	1		Bezel
67	749-0673			Rod-L.H.

137-686-190 LT-140 (1987)
Body Assembly

Page 6 of 23

Ref #	Part Number	Qty	S/P/F	Description
	749-0674	1		Grille Support Rod-R.H.
69	710-0255	1	S	Truss Hd. Scr. 1/4-20 x .75" Lg.
70	14748	1		R.H.-Grille Side Panel
	14749	1		L.H.-Grille Side Panel
71	16184	1		Dash Panel Ass'y.
72	831-0823	1	S	Throttle Control Box Ass'y.
73	746-0634	1	S	Throttle Control Wire-35"
74	710-0779	1	S	Truss Mach. AB-Tap Scr. #10 x .5" Lg.
75	725-0267	1	S	Ignition Switch
79	725-0201	1	S	Ignition Key
80	710-0865	1		Hex Bolt 1/2-13 x 1.00" Lg. (Grade 5) (2-Req'd.)
81	736-0921	1	S	L-Wash. 1/2" I.D.
82	710-0376	1	/P	Hex Bolt 5/16-18 x 1.00" Lg.
83	732-0458	1		Seat Spring 5.5" High
84	725-0634	1	S	Light Switch
86	725-0925	1	S	Ammeter
88	731-0511	1	/P	Molding Strip 27" Lg.
89	738-0526	1		Running Board Rod
93	738-0724	1	S	Shld. Bolt .375 Dia. x .125
94	712-0380	1		L-Nut 1/4-28 Thd.
95	731-0511	1	/P	Trim Strip 31.0" Lg.
97	726-0139	1	/P	Speed Nut #10Z
100	16371	1		Brake Cable Bracket
101	726-0197	1		Cable Tie

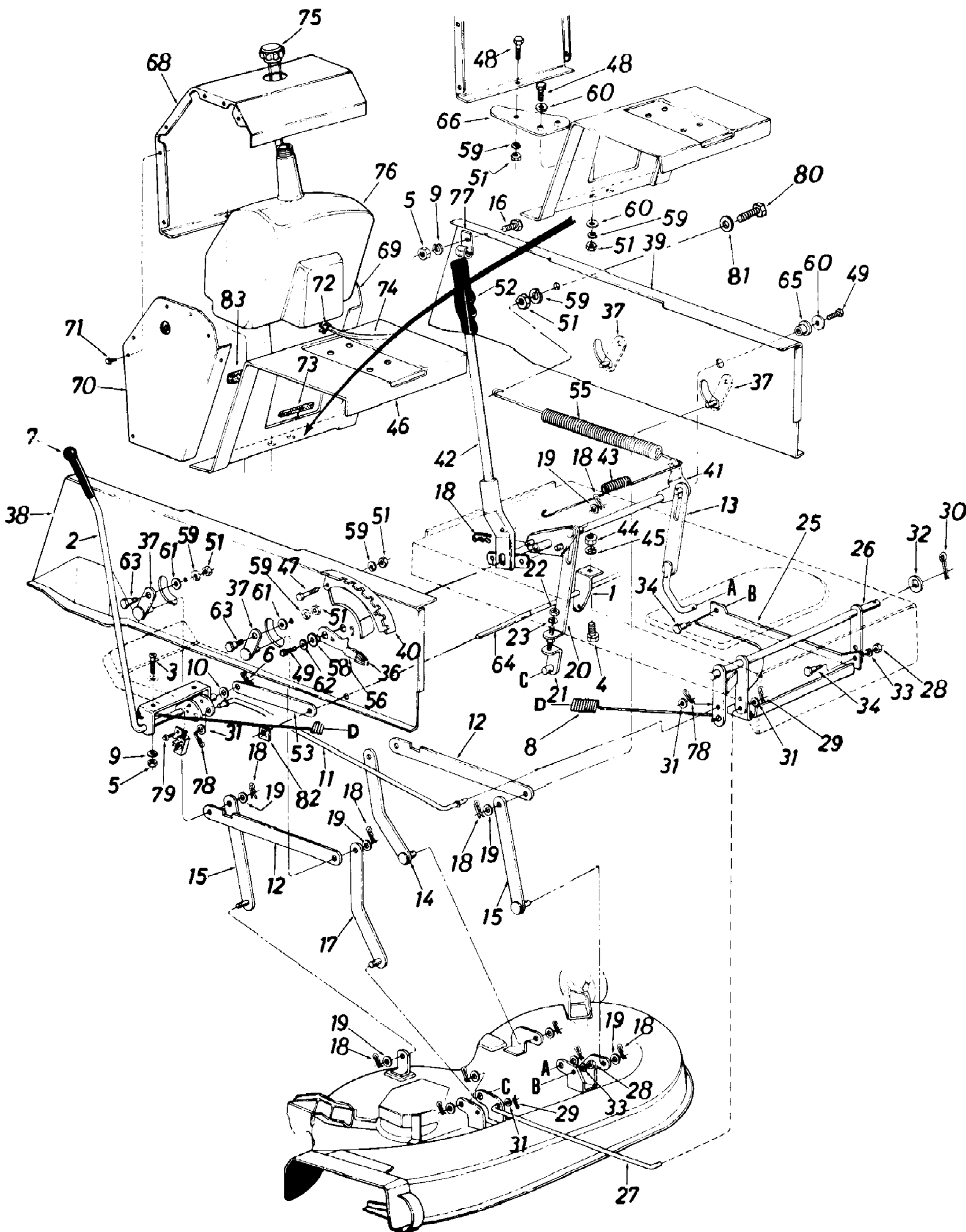
137-686-190 LT-140 (1987)
Electrical System



137-686-190 LT-140 (1987)
Electrical System

Page 8 of 23

Ref #	Part Number	Qty	S/P/F	Description
1	725-0459	1	S	Circuit Breaker
2	725-0759	1	S	Spring Switch
3	725-0819	1	S	Safety Switch Dpst.
4	725-0201	1	S	Ignition Key
5	725-0267	1	S	Ignition Switch
6	725-0634	1	S	Headlight Switch
7	722-0135	1		Foam Strip
8	725-0925	1	S	Ammeter
9	725-0994	1	S	Grounding Wire 14.0" Lg.
10	725-0452	1		32 Volt Battery
11	725-0577	1		Safety Switch
12	725-0916	1	S	Ground Wire
13	725-0222	1	S	Headlight
14	725-1179	1		Wire Harness
15	725-1080	1		Electric Wire 27.0" Lg.
16	725-0562	1	S	Electric Wire 32.5" Lg.
17	725-0771	1	S	Solenoid



137-686-190 LT-140 (1987)
Lift Assembly W/44" Deck

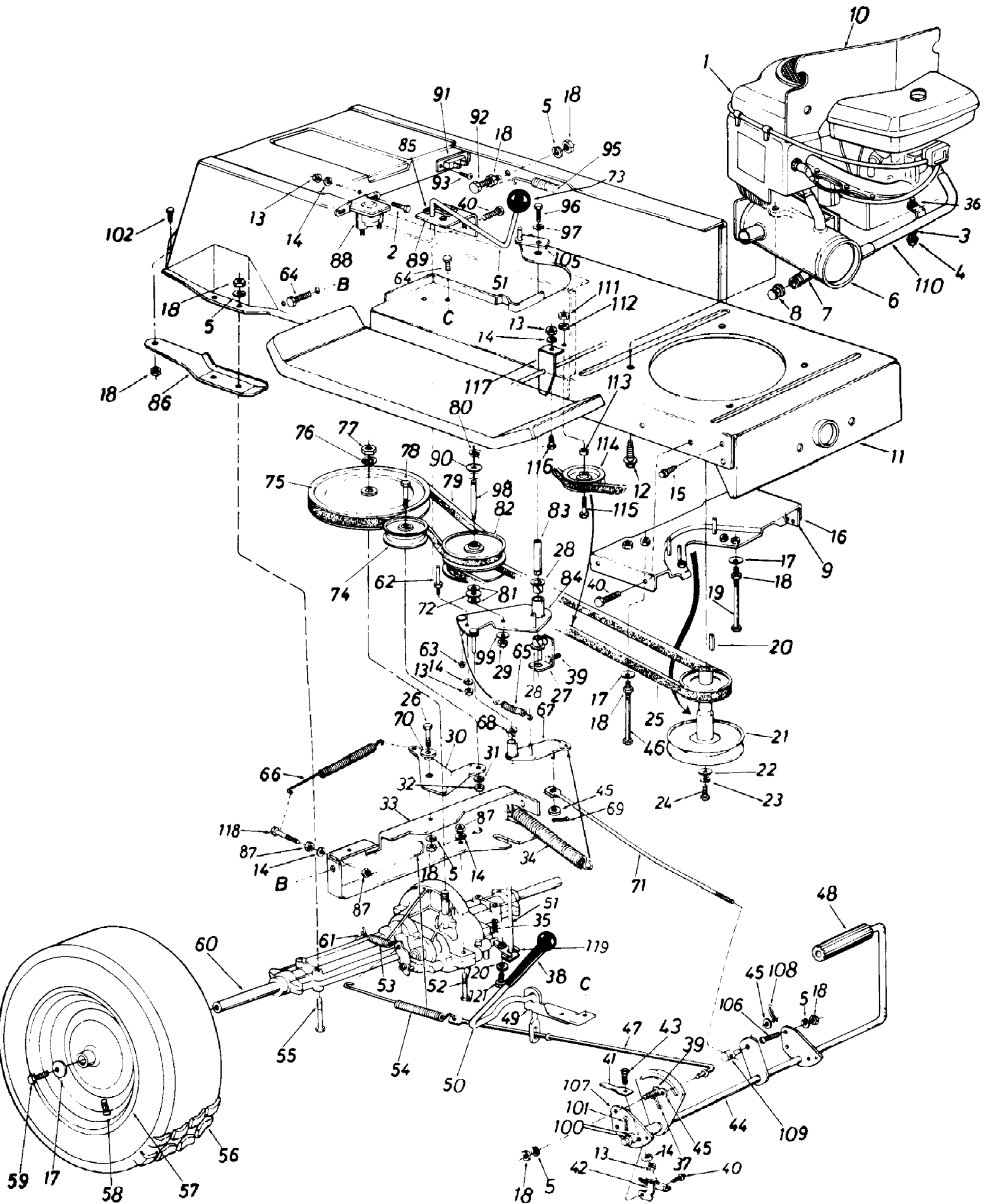
Page 10 of 23

Ref #	Part Number	Qty	S/P/F	Description
1	16181	1		Spring Hanger Bracket
2	16212	1		Deck Engagement Lever Ass'y.
3	710-0323	1	/P	Truss Mach. Scr. 5/16-18 x .75" Lg.
4	710-0258	1	S	Hex Bolt 1/4-20 x .62" Lg.
5	712-0267	1	S	Hex Nut 5/16-18 Thd.
6	714-0111	1	S	Cotter Pin 3/32" Dia. x 1.00" Lg.
7	720-0143	1		Grip
8	732-0531	1		Ext Spring .99" O.D. x 22" Lg.
9	736-0119	1	S	L-Wash. 5/16" I.D.
10	736-0272	1	S	FI-Wash. .510" I.D. x 1.0" O.D.
11	747-0491	1		Drive Deck Control Rod 12.5
12	09735	1		Connecting Rod 3/16 x 1 x 12.5
13	16178	1		Deck Lift Link Ass'y.
14	16209	1		Deck Hanger Link Ass'y. Rear L.H.
15	16216	1		Deck Hanger Link Ass'y.
16	710-0118	1	S	Hex Bolt 5/16-18 x .75" Lg.
17	16345	1		Deck Hanger Link Ass'y. Front R.H.
18	714-0101	1	S	Inter. Cotter Pin 1/2" Dia.
19	736-0160	1	S	FI-Wash. .531 I.D. x .93" O.D.
20	16063	1	S	Adj. Link Deck Lifting
21	16342	1		Adj. Lower Link Ass'y.
22	712-0241	1	/P	Hex Jam Nut 3/8-24 Thd.
23	736-0169	1	S	L-Wash. 3/8" I.D.
25	16214	1		Diagonal Brace
26	16234	1		Stabilizer Shaft Ass'y.
27	711-0777	1		Stabilizer Rod
28	712-0798	1	/P	Hex Nut 3/8-16 Thd.
29	714-0111	1	S	Cotter Pin 3/32" Dia. x 1.0" Lg.
30	714-0470	1	S	Cotter Pin 1/8" Dia. x 1.25" Lg.
31	736-0117	1	S	FI-Wash. .385" I.D. x .620" O.D.
32	736-0156	1	/P	FI-Wash. .635" I.D. x 1.12" O.D.
33	736-0169	1	S	L-Wash. 3/8" I.D.
34	738-0258	1	S	Shoulder Bolt 3/8-16
36	08540	1	/P	Knob Height Adj.
37	09721	1		Pivot Link Ass'y.
38	14602	1	S	Side Panel Upper Frame R.H.
39	14603	1		Side Panel Upper Frame L.H.
40	16462	1		Index Brkt. (Deck Lift)
41	16463	1		Lift Shaft Ass'y.
42	16465	1	S	Lift Handle Brkt. Ass'y.
43	732-0498	1	S	Ext. Spring .56" I.D. x 32 Coils
44	712-0287	1	S	Hex Nut 1/4-20 Thd.
45	736-0329	1	S	L-Wash. 1/4" I.D.
46	16223	1		Hitch Plate
47	710-0118	1	S	Hex Bolt 5/16-18 X .75" Lg.
48	710-0376	1	/P	Hex Bolt 5/16-18 X 1.00" Lg. (Grade 5)
49	710-0604	1	S	Hex Wash. TT-Tap Scr. 5/16-18 X .62" Lg.
51	712-0267	1	S	Hex Nut 5/16-18 Thd.
52	720-0157	1	S	Grip
53	16369	1		Link 1.0" x 7.5" X .19
55	732-0307	1	S	Ext. Spring .99" Dia. x 11.00" Lg.
56	732-0412	1	S	Deck Lift Down Stop
58	748-0176	1		30" I.D.

137-686-190 LT-140 (1987)
Lift Assembly W/44" Deck

Page 11 of 23

Ref #	Part Number	Qty	S/P/F	Description
59	736-0119	1	S	L-Wash. 5/16" I.D.
60	736-0231	1	S	FI-Wash. .344" I.D. x 1.125" O.D. x .125
61	736-0264	1	S	FI-Wash. .344" I.D. x .62" O.D. x .063
62	736-0231	1	S	FI-Wash. .344" I.D. x 1.125" O.D.
63	738-0140	1	S	Shld. Bolt .437" Dia. x .180
64	738-0526	1		Running Board Rod
65	741-0313	1	S	Flange Brg. .632" I.D.
66	16315	1		Hitch Bar
68	16238	1		Gas Tank Housing Main Panel
69	16239	1	S	Side Panel L.H. Gas Tank
70	16240	1		Side Panel R.H. Gas Tank
71	710-0351	1	/P	Truss Mach. B-Tapp Scr. #10 x .50" Lg.
72	726-0207	1		Hose Clamp .406" Dia.
73	731-0511	1	/P	Trim Strip-5" Lg.
74	751-0173	1	S	Gas Line 44" Lg.
75	751-0226	1	S	Gas Tank Cap
76	751-0403	1		Gas Tank
77	726-0175	1	/P	Hose Clamp
78	714-0507	1	S	Cotter Pin 3/32" Dia. x .75" Lg.
79	710-0599	1	/P	Hex Wash. Hd. Tap 6cr. 1/4 0 x.50" Lg.
80	710-0959	1	/P	Hex Bolt 5/16-18 X 1.50" Lg.
81	736-0159	1	S	FI-Wash. .344" I.D. x .875" O.D.
82	712-0247	1		Speed Nut for .500" Dia. Stud
83	722-0157	2		Foam Strip 3/8" X 1-1/8" X 1-1/2" Lg.



137-686-190 LT-140 (1987)
Rear Drive Assembly

Page 13 of 23

Ref #	Part Number	Qty	S/P/F	Description
1		1		Engine
2	710-0258	1	S	Hex Bolt 1/4-20 x .62" Lg.*
3	736-0170	1	S	Special L-Wash. 5/16" I.D.
4	712-0267	1	S	Hex Nut 5/16-18 Thd.
5	736-0119	1	S	L-Wash. 5/16" I.D.
6	751-0444	1		Exhaust Muffler
7	737-0164	1	S	Pipe Nipple
8	737-0143	1	S	Cap Oil Drain
9	16371	1		Brake Cable Brk't.
10	16215	1		Heat Shield
11	15930	1		Lower Frame Ass'y.
12	710-0502	1	S	Hex Wash Hd TT-Tap Scr 3/8-16 x 1.25" Lg.
13	712-0287	1	S	Hex Nut 1/4-20 Thd.
14	736-0329	1	S	L-Wash . 1/4 " 1. D .
15	710-0726	1	/P	Hex Wash. Hd. AB-Tap Scr. 5/16" x .75" Lg.
16	16219	1		Belt Guard Brkt. Ass'y.
17	736-0242	1	/P	Bell-Wash. .345" I.D. x .88"
18	712-0267	1	S	Hex Nut 5/16-18 Thd.
19	710-0190	1	/P	Hex Bolt 5/16-18 x 4.00"
20	714-0114	1	S	Sq. Key 1/4" x 1/4" X 2.00"
21	756-0424	1	S	Engine Pulley
22	736-0322	1	/P	FI-Wash. 7/16" I.D. x 1.25"
23	736-0171	1	S	L-Wash. 7/16" I.D.
24	710-0757	1	/P	Hex Bolt 7/16-20 x 1.50" Lg.
25	754-0280	1	S	Variable-Speed Belt
26	710-0118	1	S	Hex Bolt 5/16-18 x .75" Lg.
27	16553	1		Bearing Shaft Bracket Ass'y.
28	741-0295	1	S	Flanged Nyliner Brg. 5/8" I.D. x .88" Lg.
29	712-0241	1	/P	Hex Nut 3/8-24 Thd.*
30	15891	1	S	Idler Bracket
31	736-0169	1	S	L-Wash. 3/8" I.D.
32	712-0241	1	/P	Hex Nut 3/8-24 Thd.*
33	15945	1	S	Transaxle Support Brkt.
34	732-0459	1	S	Ext. Spring .94" O.D. x 6.7
35	714-0149	1	S	Inter. Cotter Pin
36	736-0204	1	/P	FI-Wash. .34" I.D. x .62" O.D. x .033
37	714-0507	1	S	Cotter Pin 3/32" Dia. x .75"
38	720-0143	1		Grip-Black
39	710-0323	1	/P	Truss Mach. Scr. 5/16-18 x .75" Lg.
40	710-0599	1	/P	Hex Wash. Hd. Self-Tap Scr. 1/4-20 x .50" Lg.
41	732-0435	1		Switch Actuator
42	725-0577	1		Safety Switch
43	710-0597	1	/P	Hex Bolt 1/4-20 x 1.0" Lg.
44	16235	1		Clutch & Brake Pedal Ass'y.
45	736-0117	1	S	FI-Wash.
46	710-0402	1		Hex Bolt 5/16-18 x 4.5"*
47	747-0519	1		Brake Rod 20.9" Lg.
48	735-0196	1	S	Foot Pad
49	15889	1		Brake Lever Bracket
50	15888	1		Hill Holder Brake Handle
51	16430	1	S	Shift Lever Ass'y.
52	710-0559	1		Hex Bolt 1/4-28 x 1.75" Lg.
53	732-0264	1		Hex Bolt 1/4-28 x 2.5" O.D. x 2.5"

137-686-190 LT-140 (1987)
Rear Drive Assembly

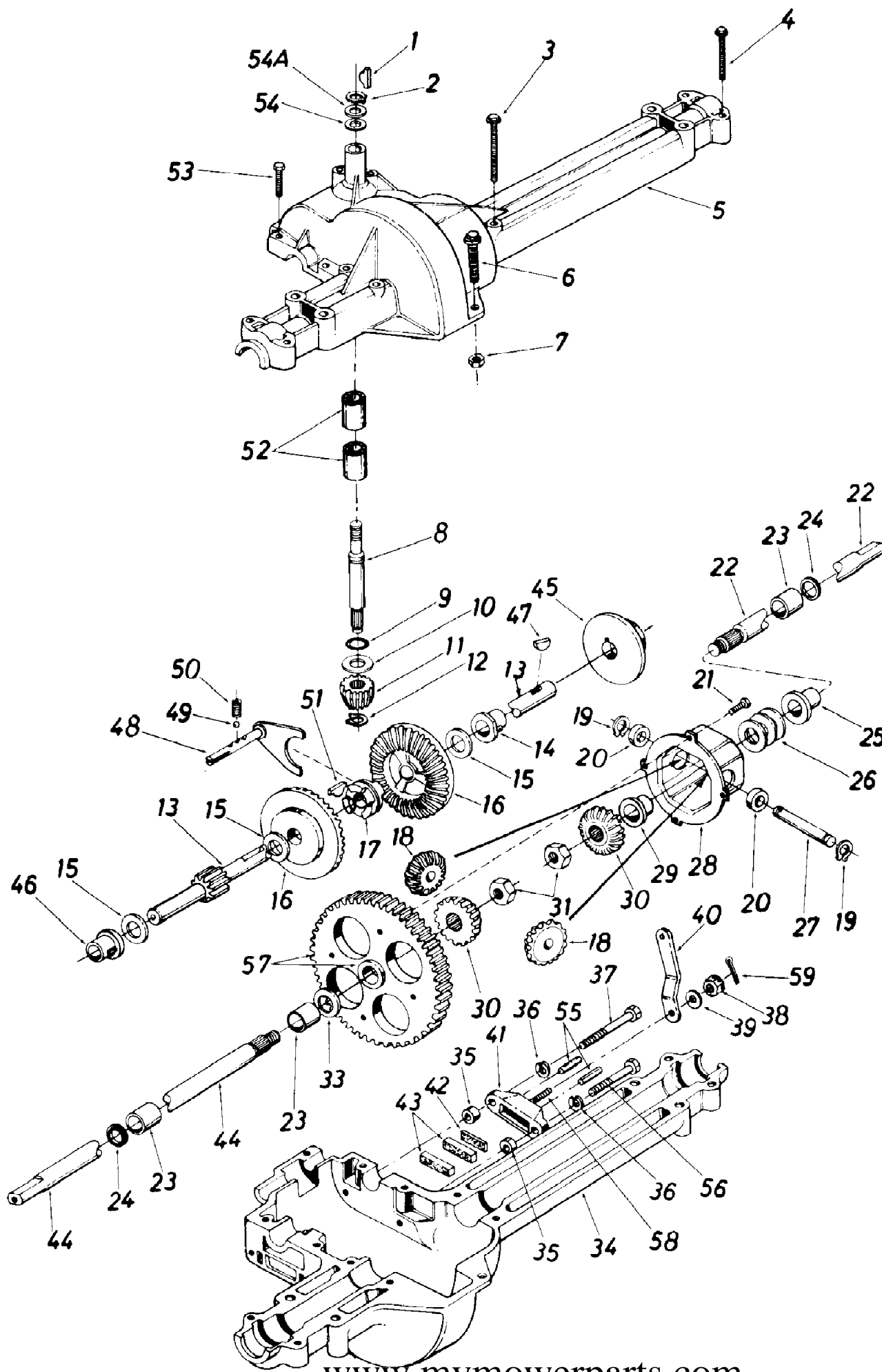
Page 14 of 23

Ref #	Part Number	Qty	S/P/F	Description
54	732-0413	1	S	Ext. Spring .59" O.D. x 7.08"
55	710-0176	1	/P	Hex Bolt 5/16-18 x 2.75"
56	734-0817	1	/P	Wheel Ass'y. Comp.
	734-0448	1	/P	Tire Only
57	734-0603	1	S	Wheel Rim Only
58	734-0255	1	S	Air Valve (Service Only)
59	710-0627	1	/P	Hex Bolt 5/16-24 x .75" Lg.
60	717-1050	1	S	Transaxle Complete-R.H.
61	732-0454	1	S	Brake Return Spring Anchor
62	711-0768	1	S	Belt Guard Pin 1/4-20 Thd.
63	726-0106	1	S	Cap Speed Nut 1/4" Dia.
64	710-0604	1	S	Hex Wash. TT-Tap Scr. 5/16 x .62" Lg.
65	732-0387	1		Ext. Spring .50" Dia.
66	732-0384	1	S	Ext. Spring .62" O.D. x 6.1 2"
67	16554	1		Variable Speed Torque Brkt. Ass'y.
68	741-0419	1		Flanged Bearing
69	714-0507	1	S	Cotter Pin 3/32" Dia.
70	748-0234	1	/P	Shoulder Spacer .500" Dia. x.27" Lg.
71	747-0530	1	S	Speed Control Link
72	741-0405	1	S	Truss Bearing .56 Dia. x 1 .25"
73	720-0165	1	S	Ball Knob
74	756-0437	1	S	FI-Idler Pulley 3.25" x 1.0
75	756-0374	1	/P	1/2" "V"-Pulley 8.0" O.D. x.501" I.D.
76	736-0921	1	S	L-Wash. 1/2" I.D.*
77	712-0922	1	/P	Hex Jam Nut 1/2-20 Thd.
78	710-0535	1	S	Hex Bolt 3/8-24 x .75" Lg.
79	754-0281	1	S	Variable Speed Belt
80	716-0114	1	S	Snap Ring .56" Dia.
81	736-0355	1	/P	FI-Wash.
82	717-0800	1	S	Variable Speed Pulley Ass'y. 5" O.D.
83	711-0766	1		Bearing Shaft
84	16354	1	S	Variable Speed Brkt. Ass'y.
85	732-0525	1		Comp. Spring Clip
86	14770	1		Transaxle Support Brkt.-R.H.
	14769	1	S	Transaxle Support Brkt.-L.H. (Not Shown)
87	712-0138	1	S	Hex Nut 1/4-28 Thd.
88	725-0771	1	S	Solenoid
89	16429	1		Shift Lever Bracket
90	736-0414	1	S	Teflon Washer
91	725-0455	1	S	Circuit Breaker
92	710-0959	1	/P	Hex Bolt 5/16-18 x 1.50"
93	710-0351	1	/P	Truss Hd. Phil. Scr. #10 x 1/2 " Lg
95	732-0307	1	S	Ext. Spring .99" O.D. x 11.0"
96	710-0180	1	/P	Hex Bolt 3/8-24 x .75" Lg.
97	736-0105	1	/P	Bell-Wash. .38" I.D. x .88"
98	738-0565	1		Shaft .56" Dia. x 3.875" Lg.
99	736-0331	1	/P	Bell-Wash. .39" I.D. x 1.12"
100	736-0256	1	S	FI-Wash.
101	714-0507	1	S	Cotter Pin 3/32" Dia. x .75"
102	710-0604	1	S	Hex Wash. Hd. Scr. 5/16-18 x.62" Lg.
105	16067	1		Belt Guard
106	710-0118	1	S	Hex Bolt 5/16-18 x .751" Lg.
107	15835			

137-686-190 LT-140 (1987)
Rear Drive Assembly

Page 15 of 23

Ref #	Part Number	Qty	S/P/F	Description
108	714-0507	1	S	Cotter Pin 3/32 x .75"
109	711-0198	1	S	Ferrule
110	751-0446	1		Inlet Tube Ass'y.
111	712-0798	1	/P	Hex Nut 3/8" 16 Thd.
112	736-0169	1	S	L-Wash. 3/8" I.D.*
113	736-0280	1		FI-Wash. .390" I.D. x 1.12"
114	756-0217	1	S	FI-Idler w/Flanges 2.750
115	710-0427	1	S	Hex Bolt 3/8-16 x 2.00" Lg.*
116	710-0258	1	S	Hex Bolt 1/4-20 x .62" Lg.*
117	16181	1		Spring Hanger Bracket
118	710-0428	1		Hex Bolt 1/4-28 x 1.25" Lg.*
119	16437	1		Shift Lever Link Ass'y.
120	736-0270	1	/P	Bell-Wash. .265 I.D. x .75 O.D.
121	710-0195	1	S	Hex Bolt 1/4-28 x .62" Lg.



137-686-190 LT-140 (1987)
Single Speed Transaxle Right Hand

Page 17 of 23

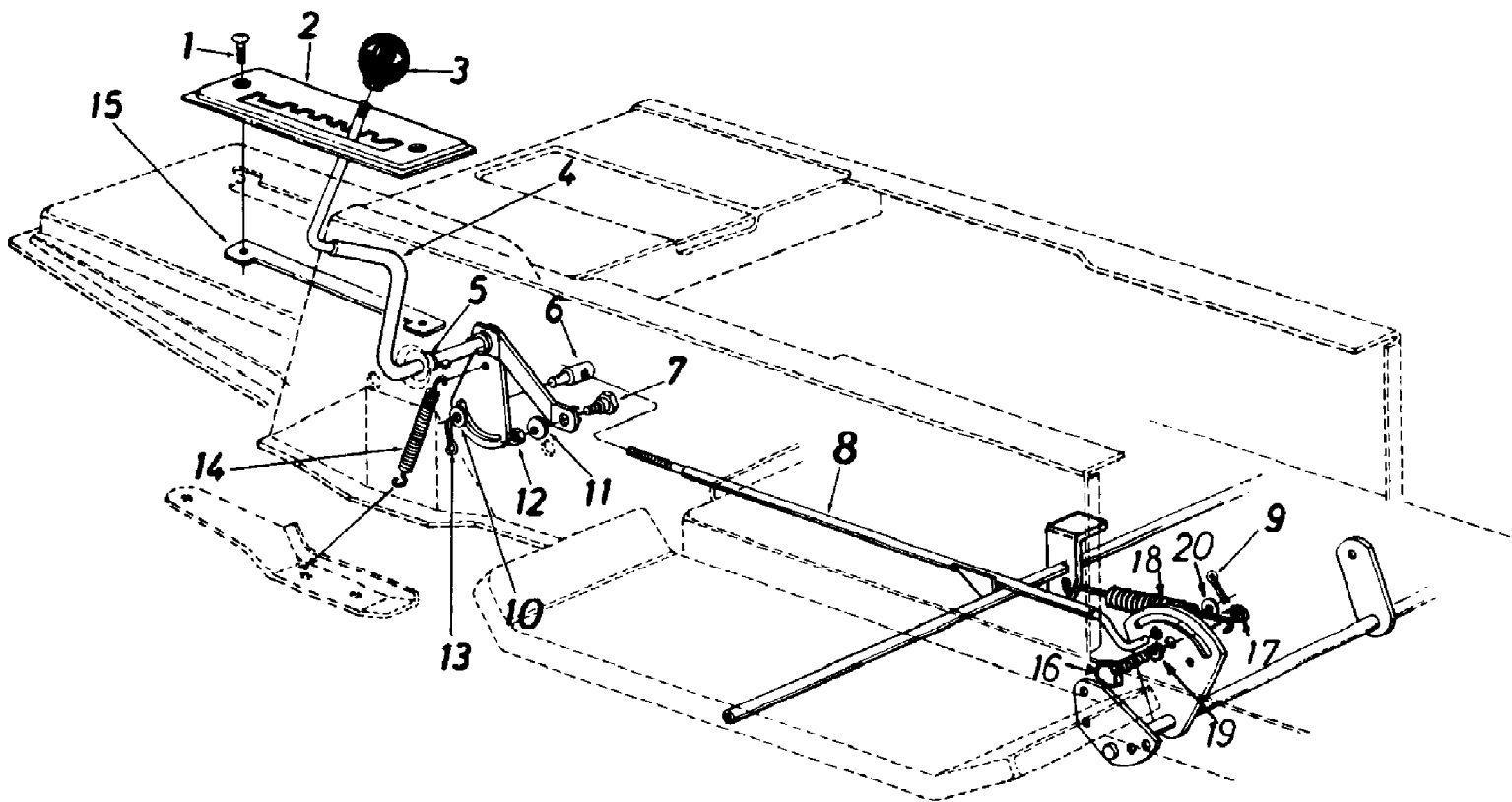
Ref #	Part Number	Qty	S/P/F	Description
1	714-0129	1	S	#4 Hi-Pro Key 3/32 x 518" Dia.
2	716-0115	1	S	Snap Ring .625" Shaft
3	710-0854	1	S	Hex Bolt 1/4-20 x 1.75" Lg.
4	710-0809	1		Hex Bolt 1/4-20 x 1.25" Lg.
5	717-0764	1	S	Upper Housing
6	710-0642	1	/P	Hex FI-Bolt 1/4-20 X .75" Lg.
7	712-0287	1	S	Hex Nut 1/4-20 Thd.
8	717-0634	1	S	Input Shaft
9	721-0178	1	S	Squtle Seai 518" I.D.
10	736-0335	1	S	Thrust Washer 518" I.D. x 1.25" O.D.
11	717-0633	1	S	Pinion Input 14T
12	716-0108	1	S	Retaining Ring 7116" Ext.
13	717-0758	1	S	Drive Shaft-R.H.
14	741-0336	1	S	Flange Brg. 518" I.D. x 3/4" Lg.
15		1		FI-Wash.
	736-0349	1	S	FI-Wash. 5/8" I.D. x 1.0" O.D. x .020 Thk.
	736-0336	1	S	FI-Wash. 5/8" I.D. x 1.0" O.D. x .030 Thk.
	736-0337	1	S	FI-Wash. 5/8" I.D. x 1.0" O.D. x .040 Thk.
16	717-0757	1		Bevel Gear 42T
17	717-0667	1	S	Clutch Collar
18	717-1020	1	/P	Miter Gear 15T
19	716-0142	1	S	Snap Ring
20	717-0690	1	S	Thrust Bearing 1/2" I.D. x 1.0" O.D.
21	710-0862	1	S	Pan Head Scr. 1/4-20 X .50" Lg. w/Patch
22	717-1012	1		Axle R.H.
23	741-0340	1	S	Sleeve Bearing 3/4" I.D. x 1.0" Lg.
24	721-0179	1	S	Oil Seal 3/4" I.D.
25	741-0339	1	S	Flange Bearing 3/4" I.D. x 15/16" Lg.
26	736-0188	1	/P	FI-Wash. .760" I.D. x 1.49" O.D.
27	717-0673	1	S	Cross Shaft
28	717-0777	1	S	Differential Housing Ass'y.
29		1		Comes with Ref. 28
30	717-1019	1	S	Miter Gear-H.D.
31	712-0200	1	S	Hex Ins. L-Nut 1/2-20 Thd.
33	736-0351	1	S	FI-Wash. .75" I.D. x 1.5" O.D.
34	717-0761	1	S	Lower Housing
35	750-0555	1		Spacer .53" O.D. x 3/8" Lg.
36	736-0329	1	S	L-Wash. 1/4" I.D.
37	710-0886	1	S	Hex Bolt 1/4-20 x 1.50" Lg. (Grade 5)
38	712-0335	1	S	Castle Nut 5/16-24 Thd.
39	736-0371	1	/P	FI-Wash. .34" I.D. x .875" O.D.
40	717-0700	1	/P	Actuating Arm-R.H.
41	717-0679	1		Brake Yoke
42	717-0682	1	S	Puck Plate
43	717-0678	1	S	Brake Puck
44	717-1011	1		Axle L.H.
45	717-0677	1	/P	Brake Disc
46	741-0337	1	S	Flange Bearing 5/8" I.D. x 15/16" Lg.
47	714-0161	1	S	Woodruff Key 3/16 Y 5/8 HT
48	717-0754	1	S	Shift Fork Ass'y.
49	741-0862	1	/P	Ball Detent.250" Dia.
50	732-0863	1	S	Spring Detent
51	714-0169			3/16" x 3/4" Dia. HT

137-686-190 LT-140 (1987)
Single Speed Transaxle Right Hand

Page 18 of 23

Ref #	Part Number	Qty	S/P/F	Description
52	741-0335	1	S	Needle Brg. 5/8" I.D. x 1/2" Lg.
53	710-0855	1	S	Hex Bolt 1/4-20 x 1.00" Lg.
54	736-0336	1	S	Fl-Wash. 5/8" I.D. x .030
54A	736-0337	1	S	Fl-Wash. 5/8" I.D. x .040
	736-0349	1	S	Fl-Wash. 5/8" I.D. x .020
55	741-0343	1	S	Actuating Pin 5/16" Dia.
56	710-0886	1	S	Hex Bolt 1/4-20 x 1.50" Lg. (Grade 5)
57	717-1059	1	S	Differential Gear 72T Ass'y. w/Bearing
58	717-0796	1	/P	Sq. Hd. Bolt 5/16-24 Thd.
59	1544-013	1	S	Cotter Pin 3/32" Dia. x .50" Lg.
	737-0148	1	S	Grease-Shell (10 oz.)

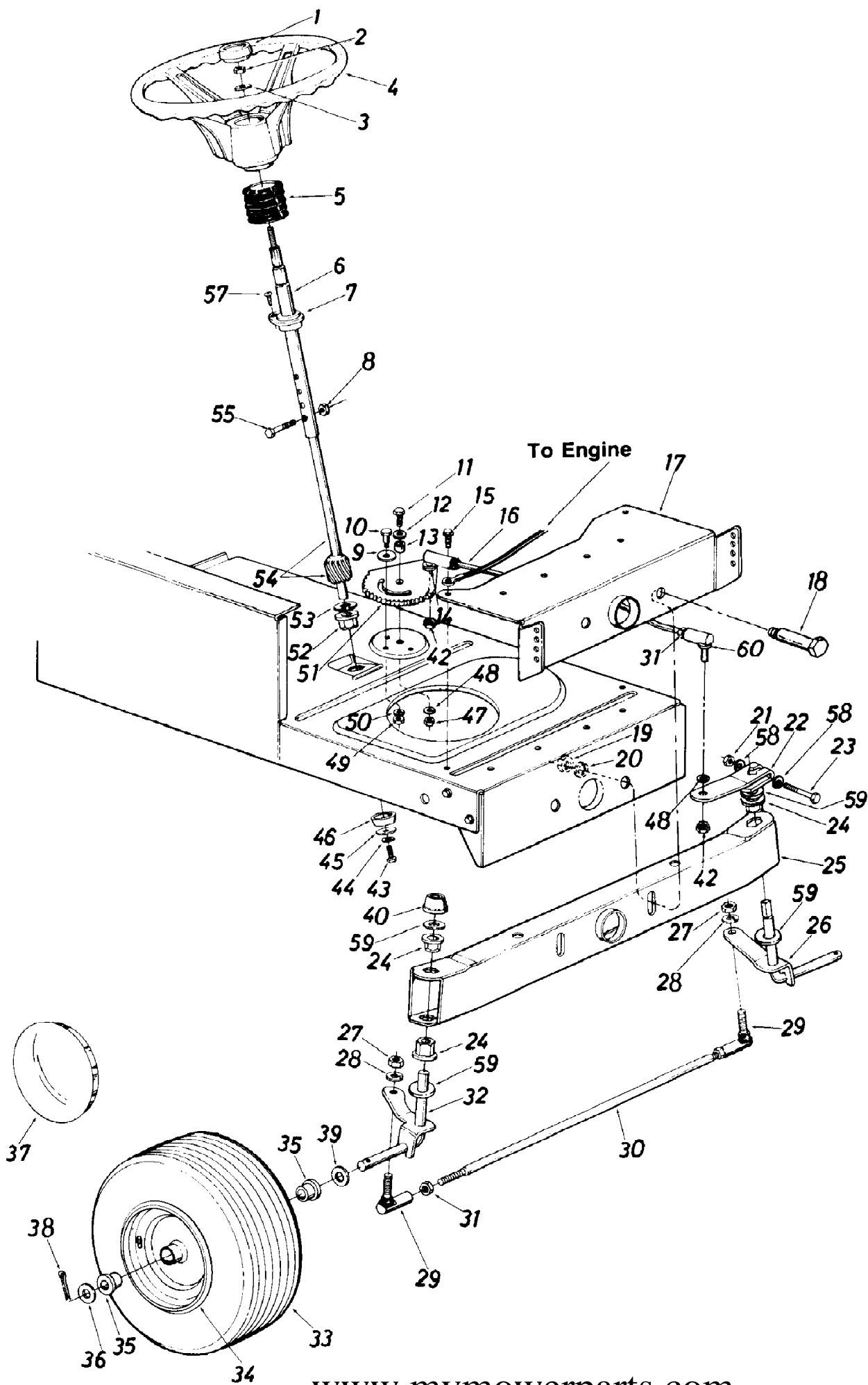
137-686-190 LT-140 (1987)
Speed Selector Assembly



137-686-190 LT-140 (1987)
Speed Selector Assembly

Page 20 of 23

Ref #	Part Number	Qty	S/P/F	Description
1	710-0924	1	/P	Truss Mach. Scr. 1/4-20 x .75" Lg.
2	16194	1	S	Speed Selector Plate 7-Speed
3	720-0175	1	S	Gear Shift Knob
4	16192	1	S	Speed Selector Cam Ass'y.
5	736-0192	1	S	Flat Washer .53" I.D. x .93"
6	711-0198	1	S	Ferrule 3/8-24 x .37" Dia.
7	738-0155	1	S	Shoulder Bolt .435" Dia. x .160
8	16355	1		Speed Control Rod Ass'y.
9	714-0507	1	S	Cotter Pin 3/32" Dia. x .75"
10	736-0140	1	S	FI-Wash. .385" I.D. x .62" O.D.
11	736-0119	1	S	L-Wash. 5/16" I.D.
12	712-0267	1	S	Hex Nut 5/16-18 Thd.
13	714-0507	1	S	Cotter Pin 3/32 Dia. x .75"
14	732-0303	1	S	Spring
15	16196	1		Clamping Plate
16	710-0376	1	/P	Hex Cap Bolt 5/16-18 x 1" Lg.
17	712-0158	1	S	Hex Cent L-nut 5/16-18 Thd.
18	732-0470	1	S	Ext. Spring .53" O.D. X 4.75" Lg.
19	712-0267	1	S	Hex Nut 5/16-18 Thd.*
20	736-0226	1	S	FI-Wash. .47" I.D. X .88" O.D.



137-686-190 LT-140 (1987)
Steering Assembly

Page 22 of 23

Ref #	Part Number	Qty	S/P/F	Description
1	731-0220	1	S	Steering Wheel Cap
2	712-0237	1	S	Hex L-Nut 5/16-24 Thd.
3	736-0242	1	/P	Belleville Wash. .345" I.D.
4	731-0806	1	S	Steering Wheel
5	731-0559	1	S	Steering Bellow
6	16512	1		Steering Column Ass'y.
7	741-0356	1		Flange Bearing .890 I.D. x 1.36 O.D.
8	712-324	1		Hex L-Nut 1/4-20
9	736-0319	1	S	FI-Wash. .438" I.D. x 1.37"
10	738-0141	1	S	Shoulder Bolt .437" Dia. x .35 Lg. 5/16-18 Thd.
11	710-0152	1	S	Hex Bolt 3/8-24 x 1.0" Lg. (Grade 5)
12	736-0219	1	S	Bell-Wash. .400" I.D. x 1.13" O.D.
13	750-0535	1	S	Spacer .380" I.D. x .625" O.D. x .227
14	736-0169	1	S	L-Wash. 3/8" I.D.
15	710-0726	1	/P	Hex Wash. Hd. Self-Tap Scr.
16	711-0788	1	S	Steering Drag Link
17	14619	1		Front Pivot Brkt.
18	738-0527	1	S	Shoulder Bolt .498" Dia. x 2.04 Lg. 3/8-16 Thd.
19	712-0798	1	/P	Hex Nut 3/8-16 Thd.
20	736-0169	1	S	L-Wash. 3/8" I.D.
21	712-0237	1	S	Hex Cent. L-Nut 5/16-24 0 Thd.
22	16481	1	S	Steering Arm Front Axle
23	710-0772	1	/P	Hex Bolt 5/16-24 x 2.00" Lg. (Grade 5)
24	741-0225	1	S	Hex Flg. Brg. .634 I.D.
25	14608	1	S	Pivot Bar Ass'y.
26	16479	1	S	Front Axle Ass'y.-L . H .
27	712-0241	1	/P	Hex Nut 3/8-24 Thd.
28	736-0169	1	S	L-Wash. 3/8" I.D.
29	723-0156	1	S	Ball Joint 3/8-24 Thd.
30	711-0613	1		Tie Rod
31	712-0711	1	/P	Hex Jam Nut 3/8-24 Thd.
32	14650	1	S	Front Axle Ass'y.-R.H.
33		1		Wheel Ass'y. Comp.
34		1		* Front Wheel Rim Only
35	741-0487	1	S	Bearing
36	736-0187	1	/P	FI-Wash. .640" I.D. x 1.54" O.D.
37	731-0541	1		Front Wheel Hub Cap
38	714-0470	1	S	Cotter Pin 1/8" Dia. x 1.25" Lg.
39	736-0187	1	/P	FI-Wash. .640" I.D. x .24" O.D.
40	726-0214	1	/P	Push Cap 5/18" Dia. Rod
42	712-0241	1	/P	Hex Nut 3/8-24 Thd.
43	710-0538	1	/P	Hex L-Bolt 5/16-18 x .62"
44	736-0119	1	S	L-Wash. 5/16" I.D.
45	736-0231	1	S	FI-Wash. .344" I.D. x 1.25" O.D.
46	750-0532	1	S	Spacer (Plastic)
47	712-0241	1	/P	Hex Nut 3/8-24 Thd.*
48	736-0169	1	S	L-Wash. 3/8" I.D.
49	712-0267	1	S	Hex Nut 5/16-18 Thd.
50	736-0119	1	S	L-Wash. 5/16" I.D.
51	717-0622			Segment

137-686-190 LT-140 (1987)
Steering Assembly

Page 23 of 23

Ref #	Part Number	Qty	S/P/F	Description
52	741-0225	1	S	Hex Flg. Brg. .634 I.D.
53	736-0187	1	/P	FI-Wash. (Hardened)
54	738-0522	1	S	Steering Shaft Lower
55	710-0958	1	/P	Hex Bolt 1/4-20 x 1.31" Lg.
57	710-0837	1		Oval Hd. Cr.-Sunk Scr. #10 x 518" Lg.
58	736-0271	1	S	Wave Wash. .32" I.D. x .62"
59	736-0187	1	/P	FI-Wash. (Hardened)
60	723-3018	1	S	Drag Link Ball Joint 3/8-24 Thd.